



PARTS MANUAL

GTWY8-1200/ GTWY10-1200/ GTTWY12-1200/ 14-1200
AREAL WORK PLATFORMS



WARNING

THE MANUFACTURER SHALL NOT BE HELD LIABLE IN CASE OF FAULTS OR ACCIDENTS DUE TO NEGLIGENCE, INCAPACITY, INSTALLATION BY UNQUALIFIED TECHNICIANS AND IMPROPER USE OF THE MACHINE

DO NOT OPERATE THIS MACHINE UNTIL YOU READ AND UNDERSTAND ALL THE DANGERS, WARNINGS AND CAUTIONS IN THIS MANUAL



Important

All the information contained in this booklet is based on the data available at the time of printing, the manufacturer reserves the right to modify its products at any time, without notice and without liability, it is therefore advisable to regularly check for any changes.

Table of Contents

Base Assembly	1
Column Assembly	3
Column Attached Parts	6
Column Attached Parts	8
Lifting Chain Assembly	10
Platform Assembly	12
Hydraulics Assembly	13
Power Groups	14
Outrigger Assembly	15
Tilt-back Frame Assembly	16



Enebakkveien 441 B
1290 OSLO, Norway

Tlf: 23 19 11 00

Faks: 23 19 11 01

post@instant.no

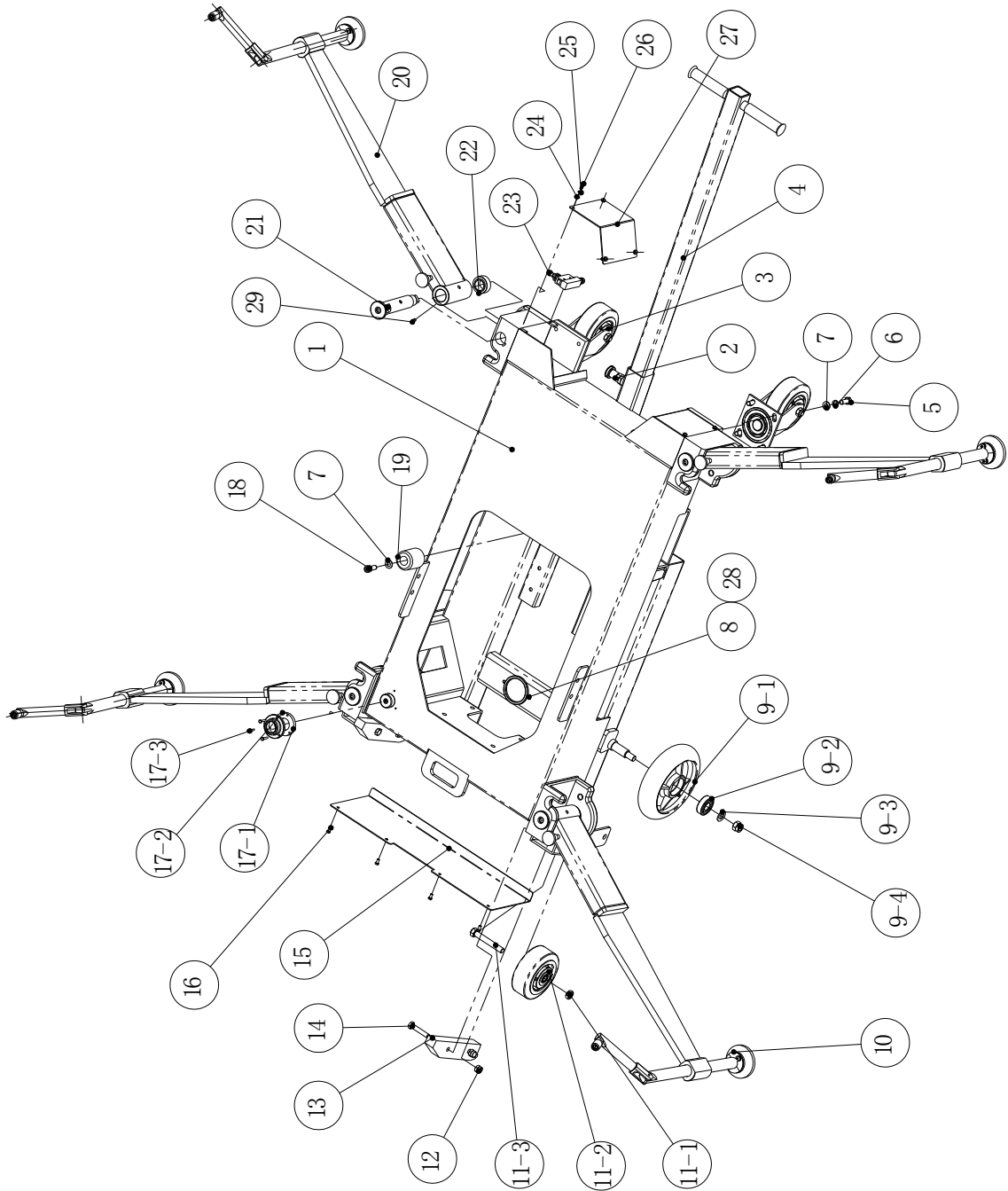
<http://www.instant.no>

Manufacturer's address:

Zhejiang Dingli Machinery Co., Ltd

Address: No. 1255 Baiyun South Road, Leidian Town, Deqing,
Zhejiang China.

Base Assembly

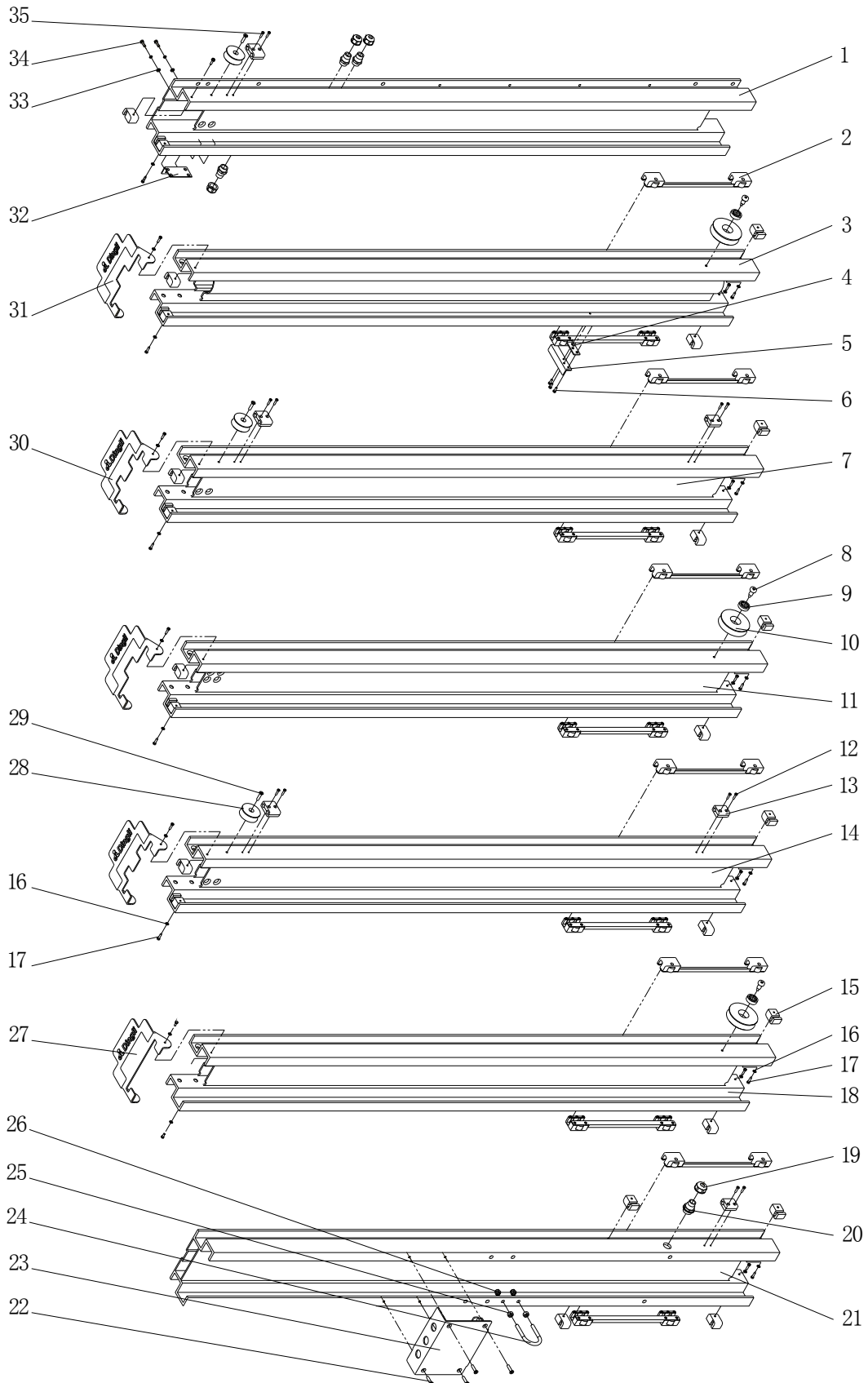


Base Assembly**Base Parts**

Item	Part No.	Description	Qty	Remark
1	EGTWY10-111000	Base weldment	1	
2	EGTWY10-112000	Lock pin	1	
3	EGTWY10-114000	5"X2" Wheel	2	
4	EGTWY10-113000	Handle	1	
5	GB/T 5783-2000	Bolt M10x25	8	
6	GB/T 93-1987	Washer 10	8	
7	GB/T 97.1-2002	Washer 10	10	
8	GB/T 70.1-2000	Bolt M10x25	2	
9	EGTWY10-115000	Rear Wheel	2	
10	EGTWY10-117000a	Outrigger	2	
11	EGTWY10-116000	wheel	2	
12	GB/T 889.1-2000	Nut M10	4	
13	EGTWY10-110004	Guide	2	
14	GB/T 5783-2000	Bolt M10x50	4	
15	EGTWY10-110003	Rear shield	1	
16	GB/T 5783-2000	Bolt M5x10	4	
17	GTWY10-51009-00	Spirit level	1	
18	GB/T 70.1-2000	Bolt M10x25	2	
19	JCPT1212HD-10013	Guide Pad	2	
20	EGTWY10-117000	Outrigger	2	
21	GTWY8-110005	Pin	4	
22	GB/T9163-2001	Bearing GE-25UK	4	
23	Z-125GQ2155-B	Switch	4	
24	GB/T 97.1-2002	Washer 5	8	
25	GB/T 93-1987	Washer 5	8	
26	GB/T 818-2000	Bolt M5x12-H	8	
27	EGTWY10-110005	Cover	2	
28	EGTWY10-110006	Pad	1	

Column Assembly

Column Assembly



Column Assembly**Column Parts**

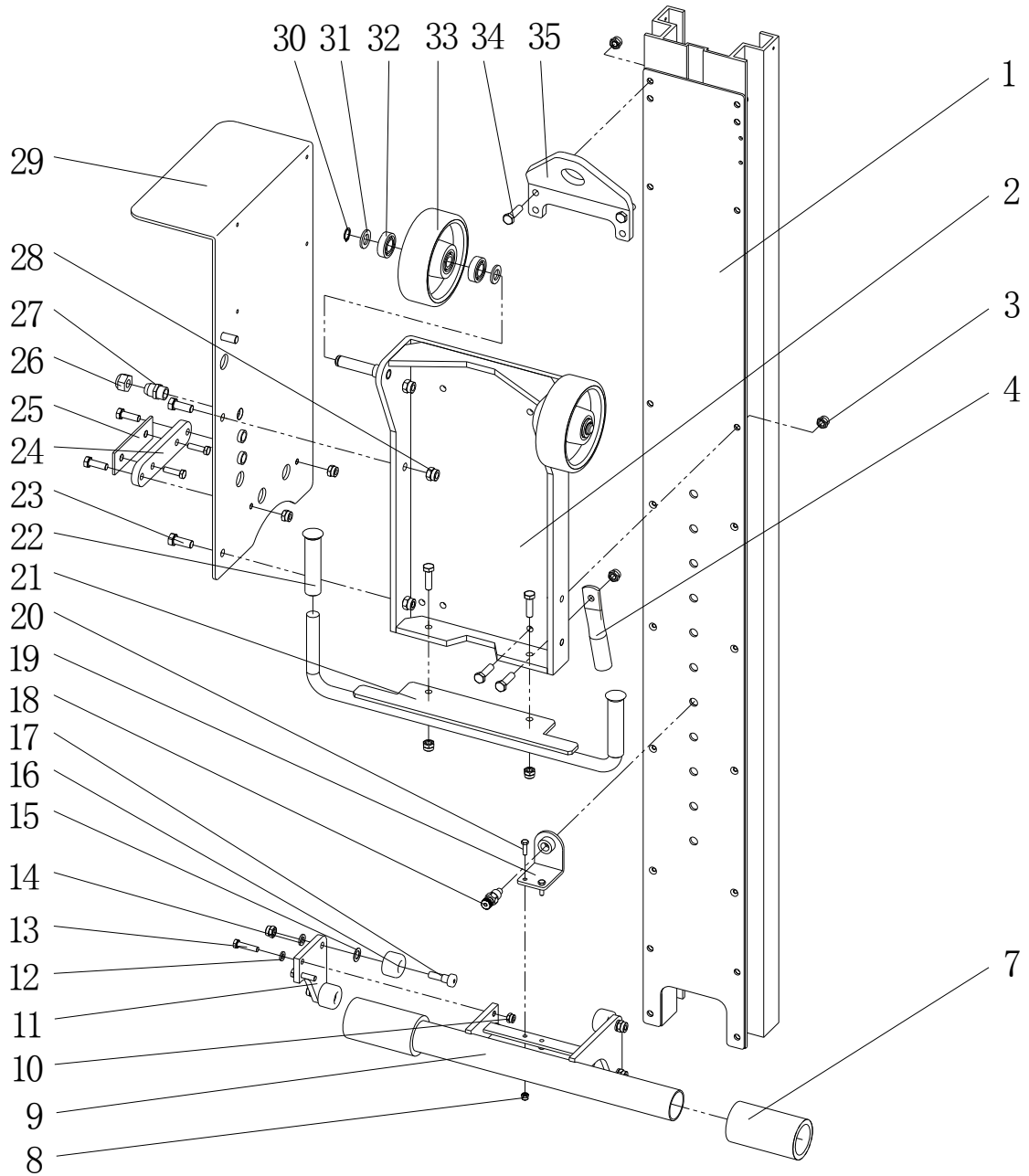
Item	Part No.	Description	Qty	Remark
1	EGTWY10-122001	Column 1	1	For EGTWY8/10/12
	EGTWY12-122001	Column 1	1	For EGTWY14
2	GTWY8-320100	Carriage (400)	12	For EGTWY8/10
	GTWY8-320100	Carriage (330)	14	For EGTWY12
	EGTWY12-122100	Carriage	12	For EGTWY14
3	EGTWY8-122002	Column 2	1	For EGTWY8/10
	EGTWY10-122002	Column 2	1	For EGTWY12
	EGTWY12-122002	Column 2	1	For EGTWY14
4	GTWY8-320011	Rubber pad	1	
5	EGTWY10-122012	Angle block	1	
6	GB/T5783-2000	Bolt M4×12	3	
7	EGTWY10-122003	Column 3	1	For EGTWY8/10/12
	EGTWY12-122003	Column 3	1	For EGTWY14
8	GTWY8-320007	Hold bolt	3	
9	GB/T 276-1994	Bearing 6200	3	
10	GTWY8-320008	Pulley	3	
11	EGTWY10-122003	Column 3	1	For EGTWY8/10/12
	EGTWY12-122003	Column 3	1	For EGTWY14
12	GB/T823-2000	Screw M4×16	12/12/14/12	
13	GTWY8-320019	Semi-odd cable clip	6	
14	EGTWY10-122003	Column 4	1/2/2	For EGTWY8/10/12
	EGTWY12-122003	Column 4	2	For EGTWY14
15	GTWY8-320018	Slide block	24/24/28/24	
16	GB/T97.1-2002	Washer 6	26/26/30/26	
17	GB/T 5285-1985	Screw ST6.3×25C	24/24/28/24	
18	EGTWY8-122005	Column 5	1	For EGTWY8/10
	EGTWY10-122005	Long column	1	For EGTWY12
	EGTWY12-122005	Column 5	1	For EGTWY14
19	GTWY8-320024	Screw nut	1	
20	GTWY8-320023	Increaser	1	
21	EGTWY8-122006	Column 6	1	For EGTWY8/10
	EGTWY10-122006	Platform Column	1	For EGTWY12
	EGTWY12-121002	Column 6	1	For EGTWY14

Column Assembly
Column Parts

Item	Part No.	Description	Qty	Remark
22	GB/T 819.1-2000	Bolt M6×12	4	For EGTWY8/10/12
	GB/T 70.3-2000	Bolt M6×16	4	For EGTWY14
23	EGTWY10-122007	Panel board	1	For EGTWY8/10/12
	EGTWY12-122007	Panel board	1	For EGTWY14
24	EGTWY10-122011	Harness anchor	1	For EGTWY8/10/12
	EGTWY12-122011	Harness anchor	1	For EGTWY14
25	GB/T41-2000	Nut M8	2	
26	GB/T889.1-2000	Nut M8	2	
27	EGTWY10-122010	Mast cover without gap	1/1/2/1	Rubber
28	GTWY8-320013	Fixed pulley	3/3/4/3	
29	GB/T819.1-2000	Screw M6×25	7/7/4/3	
30	EGTWY10-122009	Mast cover with two	2	Rubber
31	EGTWY10-122008	Mast cover with one gap	3/3/3/2	Rubber
32	GTWY8-320012	Microswitch bracket	1	
33	GB/T 95-2002	Washer 5	4	
34	GB/5783-2000	Bolt M5×16	2	
35	GTWY8-320009	Semi-dual cable clip	6/6/8/6	

Column Attached Parts

without Tilt-back Frame



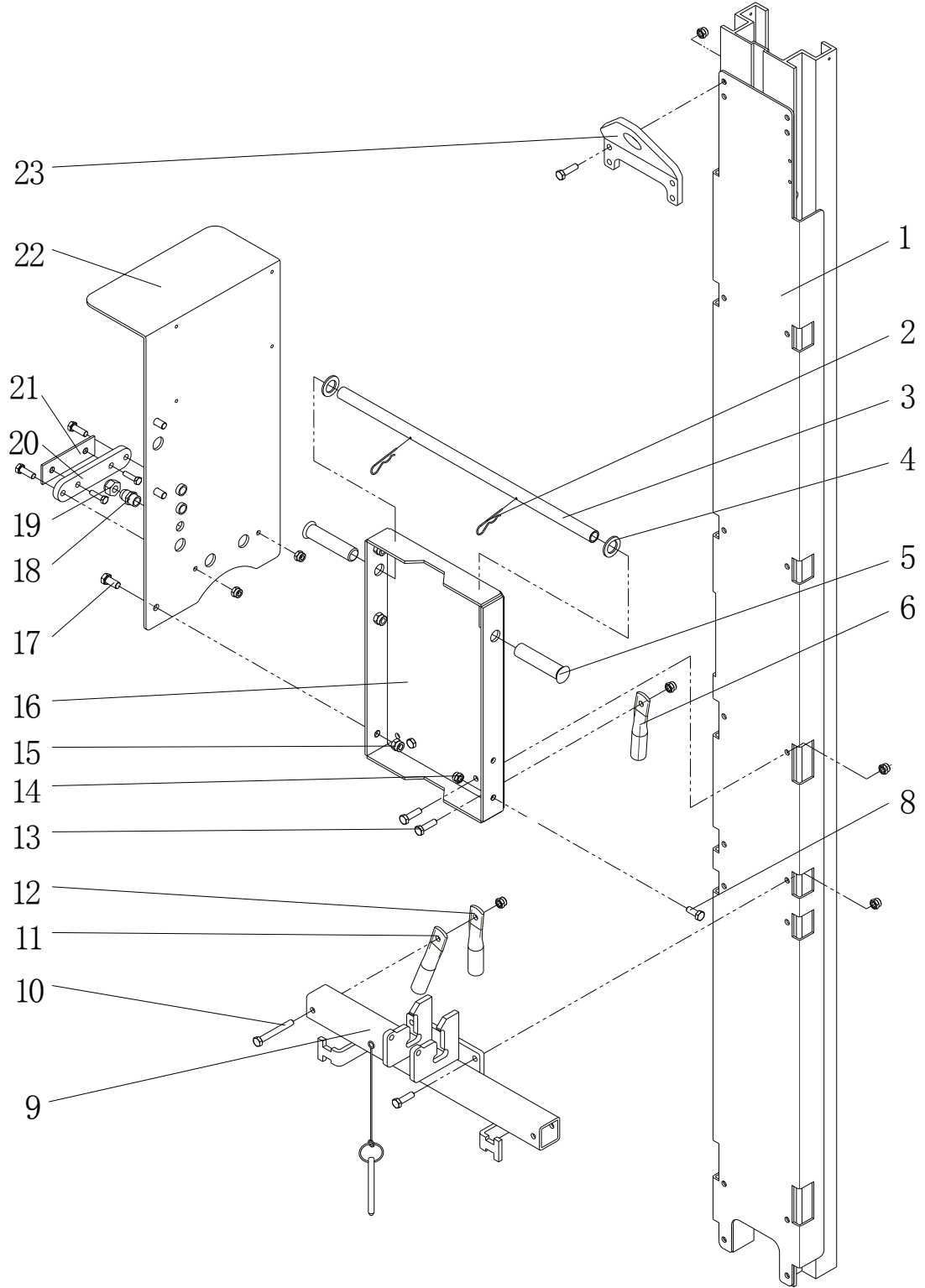
Column Assembly**Column Attached Parts
without Tilt-back Frame**

Item	Part No.	Description	Qty	Remark
1	AWP8-121001	Mast backboard	1	
2	AWP8-121110	Bracket mount	1	
3	GB/T 889.1-2000	Nut M10	22	
4	AWP12-100003(a)	Mast brace 3	2	Symmetrical parts
7	AWP12-182001	Bumper	2	
8	GB/T 889.1-2000	Nut M6	2	
9	AWP8-121410	Roller carrier	1	
10	GB/T 889.1-2000	Nut M8	2	
11	AWP8-121401	Plate	1	
12	GB/T 97.3-2000	Washer 8	2	
13	GB/T 5783-2000	Bolt M8x30	2	
14	GB/T 97.3-2000	Washer 10	4	
15	AWP12-182102	Roller washer	8	
16	AWP8-121421	Roller	4	
17	AWP8-121422	Roller hold bolt	4	
18	AWP12-112000	Lock pin	1	
19	AWP8-121310	Pivot holder	1	
20	GB/T 5783-2000	Bolt M6x20	2	
21	AWP8-121200	U-Handle weldment	1	
22	GTWY8-810002	Handle grip	12	
23	GB/T 5783-2000	Bolt M12x30	3	
24	AWP12-121303	Pump mounting bar	1	
25	AWP12-121304	Rubber pad	1	
26	DYT2-3.5T-11000-08	Screw nut	3	
27	DYT2-3.5T-11000-07	Increaser	3	
28	GB/T 889.1-2000	Nut M12	3	
29	AWP12-121301	Motor mount plate	1	
30	GB/T 894.1-1986	Circlip 17	2	
31	GB/T 95-2002	washer 16	4	
32	GB/T 276-1994	Bearing 6203	4	
33	DYT2-3.5T-11000-01	Wheel (5"x2")	2	
34	GB/T 5783-2000	Blot M10x35	20	
35	AWP12-121002	Lifting eye	1	

Column Assembly

Column Attached Parts

with Tilt-back Frame

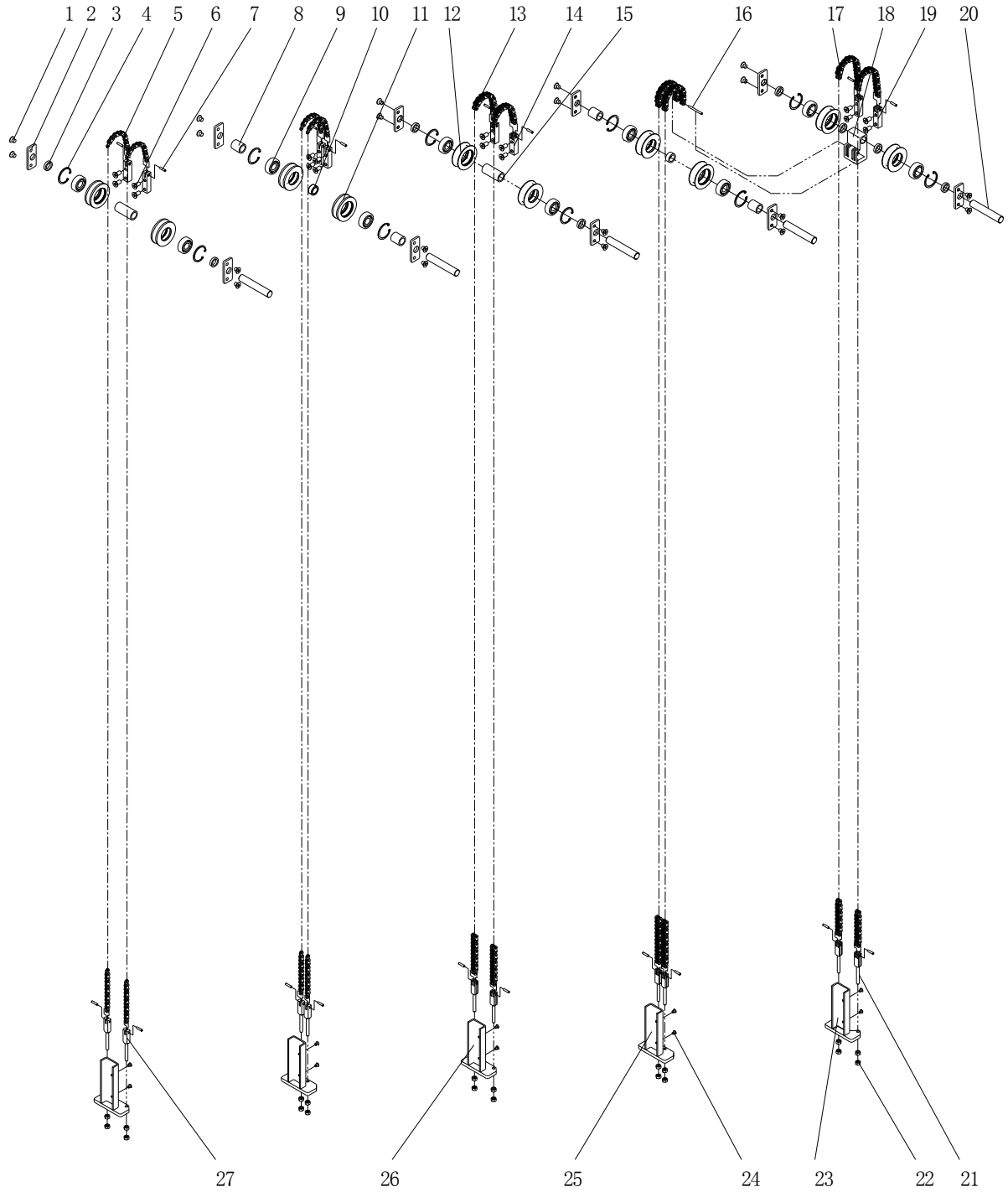


**Column Attached Parts
with Tilt-back Frame**

Item	Part No.	Description	Qty	Remark
1	EGTWY12-121001	Mast backboard	1	
2		Clip(hair pin)	2	
3	EGTWY12-121202	Tube	1	
4	GB/T 95-2002	Washer 5	2	
5	EGTWY8-810002	Handle grip	2	
6	EGTWY12-100011	Mast brace	2	Symmetrical parts
8	GB/T 5783-2000	Bolt M10×30	8	
9	EGTWY12-121100	Must mid bracket	1	
10	GB/T 5783-2000	Bolt M10×75	2	
11	EGTWY12-100012	Mast brace 2	2	Symmetrical parts
12	EGTWY12-100013	Mast brace 3	2	Symmetrical parts
13	GB/T 5783-2000	Bolt M10×35	18	
14	GB/T 889.1-2000	Nut M10	24	
15	GB/T 889.1-2000	Nut M12	3	
16	EGTWY12-121201	Bracket mount	1	
17	GB/T 5781-2000	Bolt M12×30	3	
18	DYT2-3.5T-11000-07	Increaser	3	
19	DYT2-3.5T-11000-08	Screw nut	3	
20	EGTWY10A-121502	Pump mounting bar	1	AC
	EGTWY10D-121502	Pump mounting bar	1	DC
21	EGTWY10A-121503	Rubber pad	1	AC
	EGTWY10D-121503	Rubber pad	1	DC
22	EGTWY10-121501	Motor mount plate	1	
23	EGTWY10-121002	Lifting eye	1	

Lifting Chain Assembly

Lifting Chain Assembly



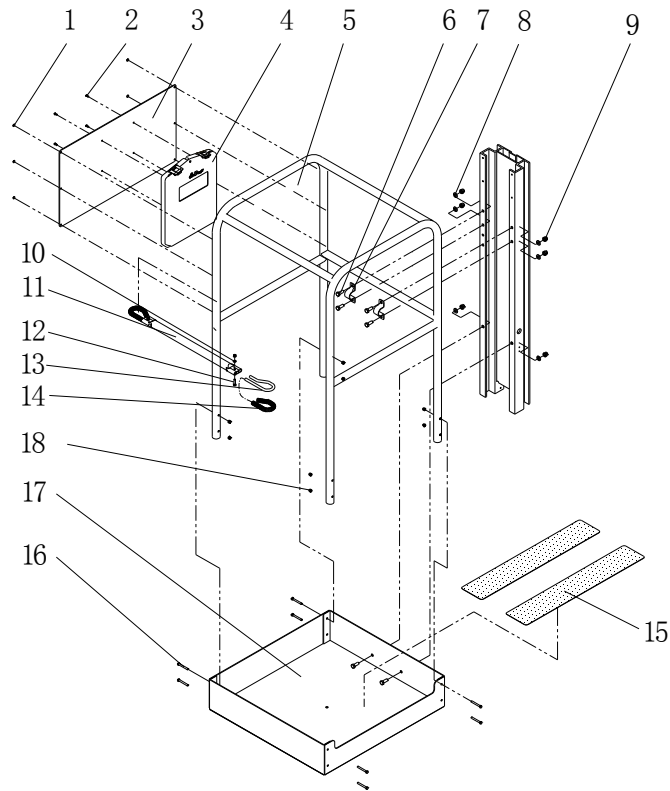
Lifting Chain Assembly

Lifting Chain Parts

Item	Part No.	Description	Qty	Remark
1	GB/T 819.2-1997	Screw M10x12	20	
2	GTWY8-320201	Plate	10	
3	GTWY8-320302	Spacer (4)	8	
4	GB/T 893.1-1986	Circlip 47	10	
5	GB6074-1995	LH0822-143	4	For EGTWY8/10
	GB6074-1995	LH0822-205	4	For EGTWY12/14
6	GB/T 819.2-1997	Screw M10x20	16	
7	GTWY8-13152	Pin	18	
8	GTWY8-320205	Spacer (2)	4	
9	GB/T 276-1994	Bearing 6204	10	
10	GTWY8-320204	Spacer (1)	2	
11	GTWY8-320303	Chain wheel	4	
12	GTWY8-320203	Dual chain seat	6	
13	GB6074-1995	LH0844-143	4	For EGTWY10
	GB6074-1995	LH0844-205	4/2	For EGTWY12/14
14	GTWY8-320016	Upper chain seat	4	
15	GTWY8-320301	Spacer (3)	2	
16	GTWY8-13172	Long pin	1	
17	GB6074-1995	LH0844-145	2	For EGTWY8/10
	GB6074-1995	LH0844-207	2	For EGTWY12/14
18	GTWY8-320401	Chain seat	1	
19	GTWY8-320014	Upper dual chain seat	4/2	For EGTWY10 14/ EGTWY8 12
20	GTWY8-320202	Shaft	5	
21	GTWY8-320015	Lower dual chain seat	6	
22	GB/T 41-2000	Nut M10	20	
23	GTWY8-320600	Dragger	1	
24	GB/T 819.2-1997	Screw M6x8	10	
25	GTWY8-320700	Dragger 2	2/1	
26	GTWY8-320800	Dragger 3	2/1	
27	GTWY8-320017	Lower chain seat	4	

Platform Assembly

Platform Assembly

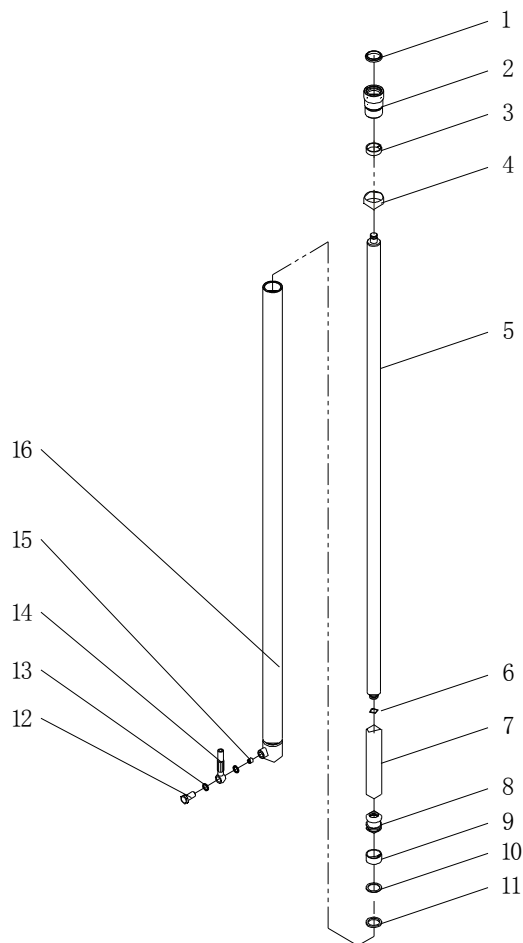


Platform Parts

Item	Part No.	Description	Qty	Remark
1	GB/T 12615.1-2004	Rivet 4x20	6	
2	GB/T 5783-2000	Screw M4x8	4	
3	GTBZ16A-43500	Manuals storage	1	
4	EGTWY10-140002	Board	1	
5	EGTWY10-141000	Railing weldment	1	
6	GB/T 5783-2000	Bolt M10x25	6	
7	EGTWY10-140003	Platform mount clamp	2	
8	GB/T 95-2002	Washer 10	6	
9	GB/T 889.1-2000	Nut M10	6	
10	GB/T 95-2002	Washer 6	2	
11	EGTWY10-142003	Mid rail tube	1	
12	GB/T 5783-2000	Bolt M6x25	2	
13	EGTWY10-142002	Mid-rail duide	2	
14	EGTWY10-142001	Loom	2	
15	EGTWY10-140004	Non-skid tape	2	
16	GB/T 5783-2000	Bolt M6x50	8	
17	EGTWY10-140001	Toeboard	1	
18	GB/T 889.1-2000	Nut M6	10	

Hydraulics Assembly

Hydraulics Assembly

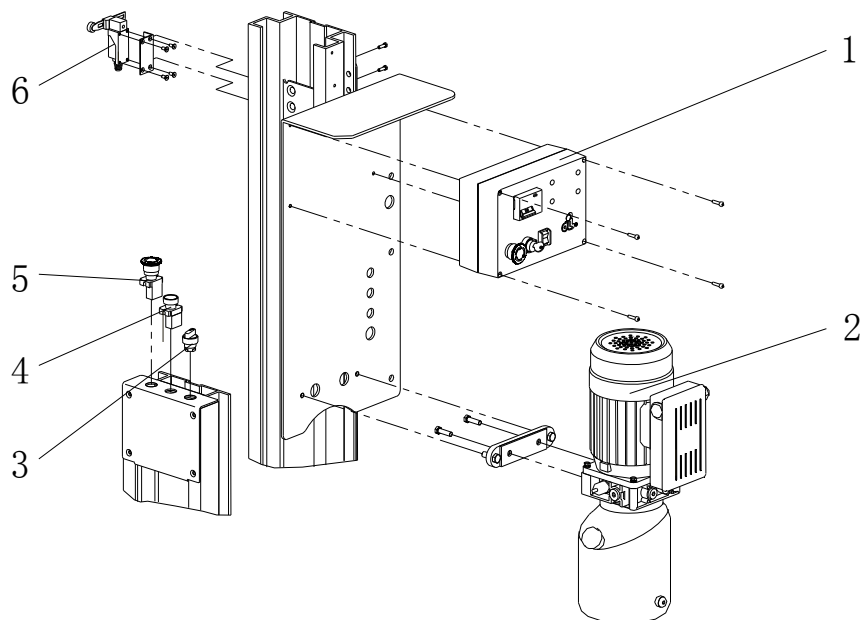


Hydraulics Parts

Item	Part No.	Description	Qty	Remark
1	DH 40	Dust seal	1	
2	EGTWY10-151008	Cylinder cap	1	
3	EGTWY10-151010	Wearing strap 12X2.5	1	
4	EGTWY10-151009	Plastic sleeve	1	
5	EGTWY10-151003	Piston rod	1	
6	GB/T 895.2-1986	Wire circlip 25	1	
7	EGTWY10-151002	Sleeve	1	
8	EGTWY10-151003	Piston	1	
9	EGTWY10-151004	Wearing strap 20X2.5	1	
10	DQ35	Packing ring	1	
11	USH 35	Packing cup	1	
12	TYGGLS-001	Special bolt	1	
13	TYDP-001	Gasket	2	
14	EGTWY10-150001	Oil hose unit	1	
15	EGTWY10-151200	Explosion-safe valve	1	
16	EGTWY10-151100	Cylinder	1	

Power Groups

Power Groups

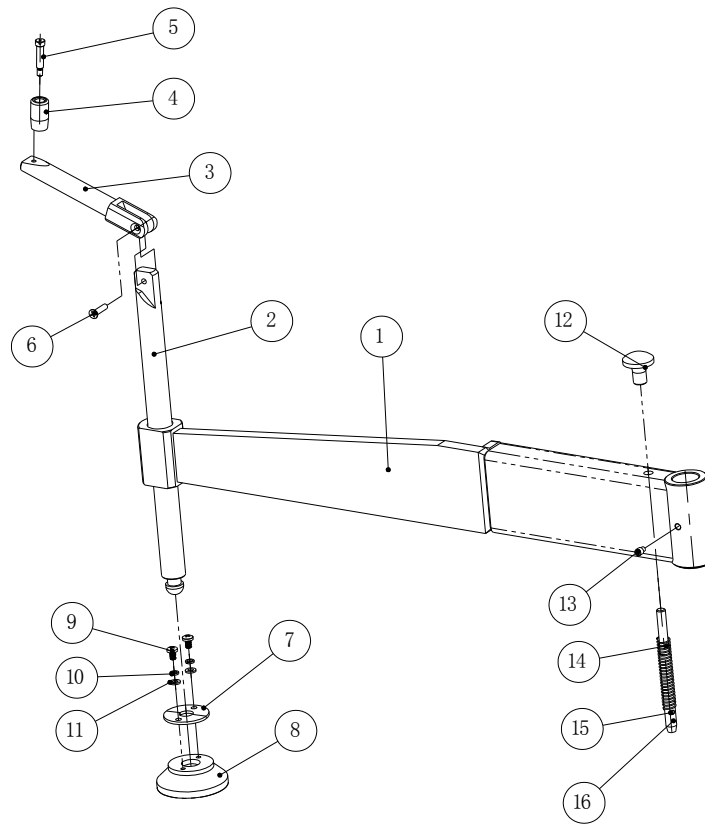


Power Groups Components

Item	Part No.	Description	Qty	Remark
1	EGTWY10A-161000	Control box	1	AC
	EGTWY10D-161000	Control box	1	DC
2	VB1205051	220VAC0.75kw4l pump	1	AC
	CN12V50X10AA4 LJW1	DC pump	1	DC
3	ZB2BD5C/ZB2BZ103C-6A	Up/down switch	1	
4	ZB2BA3C/ZB2BZ103C-6A	Control activate button	1	
5	ZB2BS54C/ZB2BZ102C-6A	Emergency stop switch	1	
6	AZ 104 5A-250V/AC	Microswitch	1	

Outrigger Assembly

Outrigger Assembly

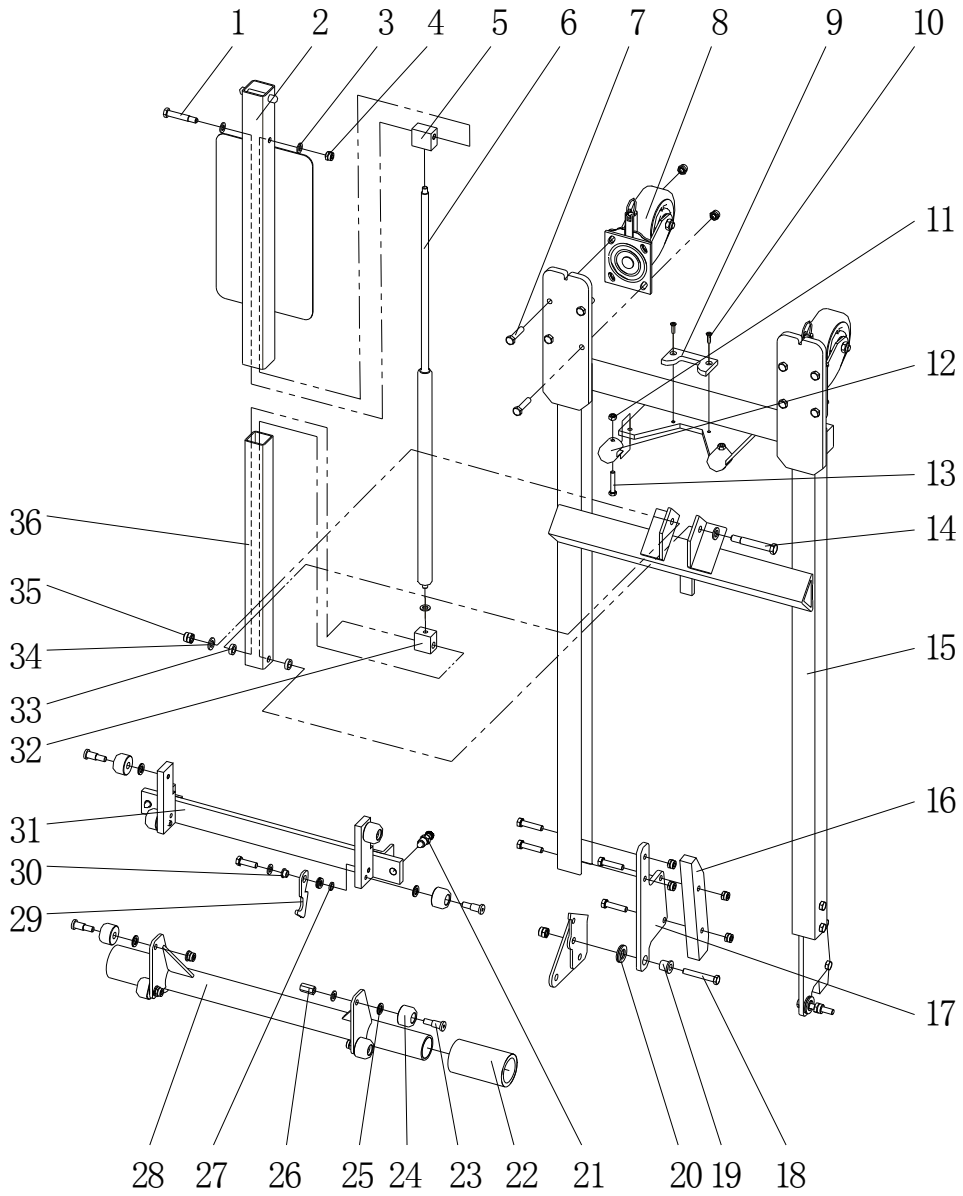


Outrigger Parts

Item	Part No.	Description	Qty	Remark
1	EGTWY10-117100	Outrigger tube	1	
2	GTWY8-110301	Leveling rod	1	
3	GTWY8-110302	Handle	1	
4	GTWY8-110303	Handle ball knob	1	
5	GTWY8-110304	Pin	1	
6	GB/T 819.1-2000	Screw M6x25-H	1	
7	GTWY8-110305	Footpad retainer	2	
8	GTWY8-110307	Footpad	1	
9	GB/T 818-2000	Screw M6x10-H	2	
10	GB/T 93-1987	Washer 6	2	
11	GB/T 97.1-2002	Washer 6	2	
12	GTWY8-110308	Handle	1	
13	GB/T 79-2000	Screw M8x12	1	
14	GTWY8-110310	Spring	1	
15	GTWY8-110311	pin	1	
16	GTWY8-110309	Lock pin	1	

Tilt-back Frame Assembly

Tilt-back Frame Assembly



Tilt-back Frame Assembly

Tilt-back Frame Parts

Item	Part No.	Description	Qty	Remark
1	GB/T 27-1988	Bolt M10×65	1	
2	EGTWY12-183100	Gas spring upper tube weldment	1	
3	GB/T 95-2002	Washer 10	12	
4	GB/T 889.1-2000	Nut M10	22	
5	EGTWY12-183001	Gas spring upper mount block	1	
6	EGTWY12-183200	Gas spring	1	
7	GB/T 5782-2000	Bolt M10×45	16	
8	EGTWY12-185000	Caster with lock 5"×2"	1	
9	AWP12-180005	Align block	1	
10	GB/T 819.1-2000	Screw M6×20	2	
11	GB/T 41-2000	Nut M8	2	
12	EGTWY12-180001	Nylon pad	2	
13	GB/T 5783-2000	Bolt M8×45	2	
14	GB/T 27-1988	Bolt M12×90	1	
15	EGTWY12-181000	Tilt-back frame	1	
16	EGTWY10-110004	Guide block	2	
17	EGTWY12-180002	Tilt-back joint plate	2	
18	GB/T 5783-2000	Bolt M10×55	2	
19	EGTWY12-180004	Bush	2	
20	GB/T 95-2002	Washer 18	4	
21	EGTWY10-112000	Lock pin	2	
22	EGTWY10-121402	Bumper	2	
23	EGTWY10-121423	Roller hold bolt	4	
24	EGTWY10-121421	Roller	4	
25	GB/T 848-1985	Washer 10	8	
26	AWP12-182002	Coupling rod	1	
27	GB/T 93-1987	Washer 10	1	
28	EGTWY12-182200	Pivot weldment	1	
29	EGTWY10-121301	Hooker	1	
30	EGTWY10-121303	Hook bush	1	
31	EGTWY12-184100	Pivot stop weldment	1	
32	EGTWY12-183003	Gas spring lower mount block	1	
33	EGTWY12-183004	Spacer	2	
34	GB/T 95-2002	Washer 12	2	
35	GB/T 889.1-2000	Nut M12	1	
36	EGTWY12-183002	Gas spring lower tube	1	

Continuous improvement of our products is a policy. Product specifications are subject to change without notice or obligation.